

MODEL CONFIGURATION & AUTO-CALIBRATION

Once the Treadmill is plugged in, you need to configure the Treadmill and perform an auto-calibration to assure maximum performance.

T9700S & T9700HRT CONSOLES:

DO NOT STAND ON THE BELT WHEN PERFORMING THE AUTO-CALIBRATION

Once the treadmill is plugged in, you will need to configure and run auto-calibration. With the safety key in place, turn the treadmill on. A setup screen should appear on the console. Set your treadmill to the correct model number (9700S or 9700HRT) using the ELEVATION arrow keys and the correct units (MI [miles]/ KM [kilometers]) using the SPEED arrow keys. If you are unsure of the model number, you can locate the number on the front of the console. Once you have located the model number and units with the arrow keys, press and hold ENTER. Now you can perform auto-calibration by pressing START.

The treadmill will run through minimum and maximum speed and elevation. This will take 3 to 5 minutes. Let the treadmill perform this complete function. "END" will appear when auto-calibration is complete. When auto-calibration is complete, the treadmill will reboot and return to the start-up screen.

PREMIER and DELUXE CONSOLE:

DO NOT STAND ON THE BELT WHEN PERFORMING THE AUTO-CALIBRATION

Once the treadmill is plugged in, you will need to configure and run auto-calibration. With the safety key in place, turn the treadmill on. A setup screen should appear on the console. Set your treadmill to the correct model number (9200, 9500, or 9600) using the ELEVATION arrow keys and the correct units (MI [miles]/KM [kilometers]) using the SPEED arrow keys. If you are unsure of the model number, you can locate the number on the console masts. Once you have located the model number and units with the arrow keys, press and hold ENTER. Now you can perform auto-calibration by pressing START.

The treadmill will run through minimum and maximum speed and elevation. This will take 3 to 5 minutes. Let the treadmill perform this complete function. "END" will appear when auto-calibration is complete. When auto-calibration is complete, the treadmill will reboot and return to the start-up screen.

SIMPLE CONSOLE:

DO NOT STAND ON THE BELT WHEN PERFORMING THE AUTO-CALIBRATION

Once the treadmill is plugged in, you will need to configure and run auto-calibration. With the safety key in place, turn the treadmill on. A setup screen should appear on the console. The large LED window displays the model number and the small LED window displays the units. Set your treadmill to the correct model number (9200, 9500, or 9600) using the ELEVATION arrow keys and the correct units (0 for miles and 1 for kilometers) using the SPEED arrow keys. If you are unsure of the model number, you can locate the number on the console masts. Once you have located the model number and units with the arrow keys, press and hold ENTER. Now you can perform auto-calibration by pressing START.

The treadmill will run through minimum and maximum speed and elevation. This will take 3 to 5 minutes. Let the treadmill perform this complete function. "END" will appear in the window when auto-calibration is complete. When auto-calibration is complete, the treadmill will reboot and return to the start-up screen.



500 South CP Avenue • P.O. Box 280 • Lake Mills, WI 53551
toll free 800.335.4348 • phone 920.648.4070 • fax 920.648.3373
www.visionfitness.com

©2004 Vision Fitness. All Rights Reserved. 8.06
AG18-1279D
REV11



VISION  FITNESS.

**T9200, T9500, T9600,
AND T9700**
PLATFORM TREADMILLS

Assembly Guide

T9200, T9500, T9600
AND T9700

PLATFORM TREADMILLS

To avoid possible damage to this Platform Treadmill, please follow these assembly steps in the correct order. Before proceeding through, find your new Platform Treadmill's 2 serial numbers, located on the front of the main frame, and on the bottom of the console, and enter here:

Frame Serial Number

Console Serial Number

Refer to these numbers when calling for service, and also enter these serial numbers on your Warranty Card and in your own records. Be sure to read your Owner's Guide before using your new Platform Treadmill. If any parts, hardware or tools are missing, please call 1.800.335.4348, Extension 12

NOTE: It is recommended that you apply grease to the threads of each bolt as you assemble your Platform Treadmill, to prevent loosening and noise. Also, during each assembly step, ensure that ALL nuts and bolts are in place and partially threaded in before completely tightening any ONE bolt.

STEP 1

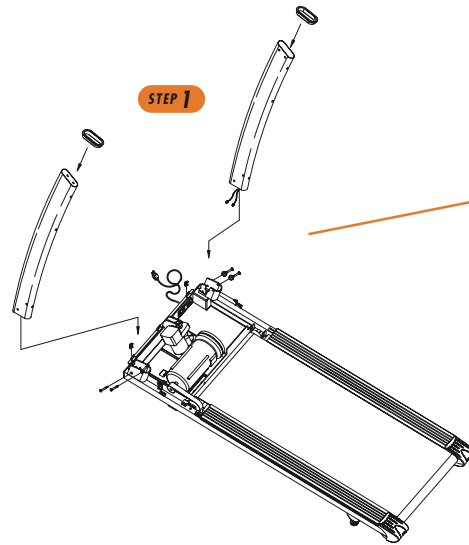
ORANGE BAG

- Remove the motor cover screws (M4 x 20L). Set motor cover and screws aside.
- Slide the oval console mast cover on the left and right console mast making sure the flat end is pointing up.
- Insert the left console mast into the console mast bracket and secure with two bolts (M8 x 55L Flathead) in the side of the console mast bracket.
- Insert one bolt (M8 x 20L) in the rear of the console mast bracket.
- Repeat this on the right side.

T9700: Slide the data cable down the right console mast using the white wire tie as a guide. Make sure that the data cable (1 large ribbon cable) goes through the large hole in the lower part of the console mast.

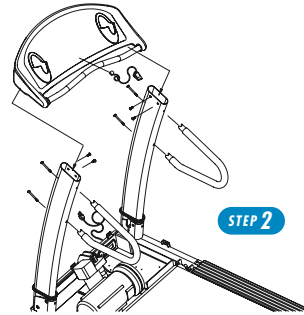
T9200, T9500, T9600: Slide the data cables down the right console mast using the white wire tie as a guide. Make sure that the data cables (one small & one large telephone-style cable) go through the large hole in the lower part of the console mast.

NOTE: There are no data cables on the left side.



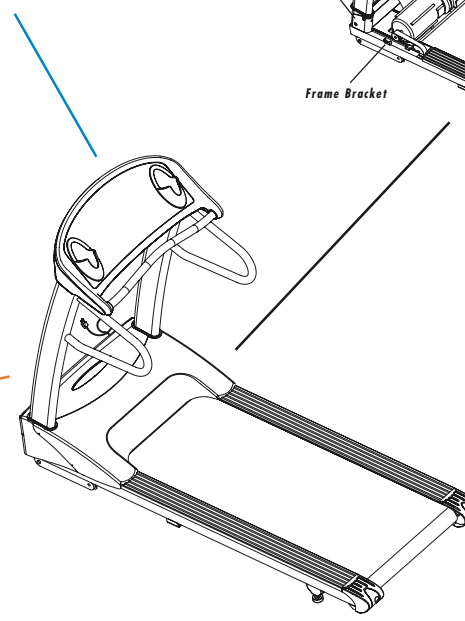
STEP 1

STEP 2



Console Mast Bracket

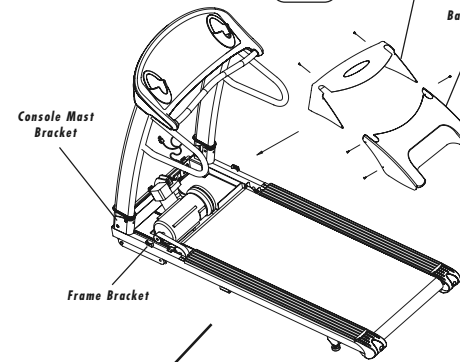
Frame Bracket



STEP 3

Front Cover

Back Cover



STEP 3

DATA CABLES

MODELS T9200, T9500, & T9600: Plug in the small data cable into the small plug connection on the lower control board. Plug in the large data cable into the large plug connection on the lower control board.

MODEL T9700: Plug the large 20-ribbon cable into the 20-pin connection on the lower control board.

- Install motor cover

1. Install the back cover by partially inserting the 2 screws (M4 x 20L) into the console mast bracket. Do not fully tighten
2. Slide the console mast covers into place. Install the front cover by sliding the notch over the screw in the console mast bracket. Make sure the top of the front cover slides over the front of the back cover and under the sides of the back cover.
3. Insert 2 screws (M4 x 20L) into the front of the front cover.
4. Insert 2 screws (M4 x 20L) into the frame bracket lining up the holes in the 2 covers with the innerman nut in the frame bracket.
5. Tighten all screws.

STEP 4

AUTO-CALIBRATION

Please refer to back cover for this procedure, then return to Step 5.

STEP 5

BELT TENSION

- If the running belt slips when used, use the supplied 8mm Allen wrench to turn the left and right tension bolts clockwise 1/4 turn at a time until the belt no longer slips.

- Run the treadmill at 2.0 mph. If the running belt is too far to the right side, use the supplied 8mm Allen wrench to turn the right tension bolt clockwise 1/4 turn at a time until the belt remains centered during use. If the running belt is too far to the left side, turn the left tension bolt clockwise 1/4 turn at a time until the belt remains centered during use.

