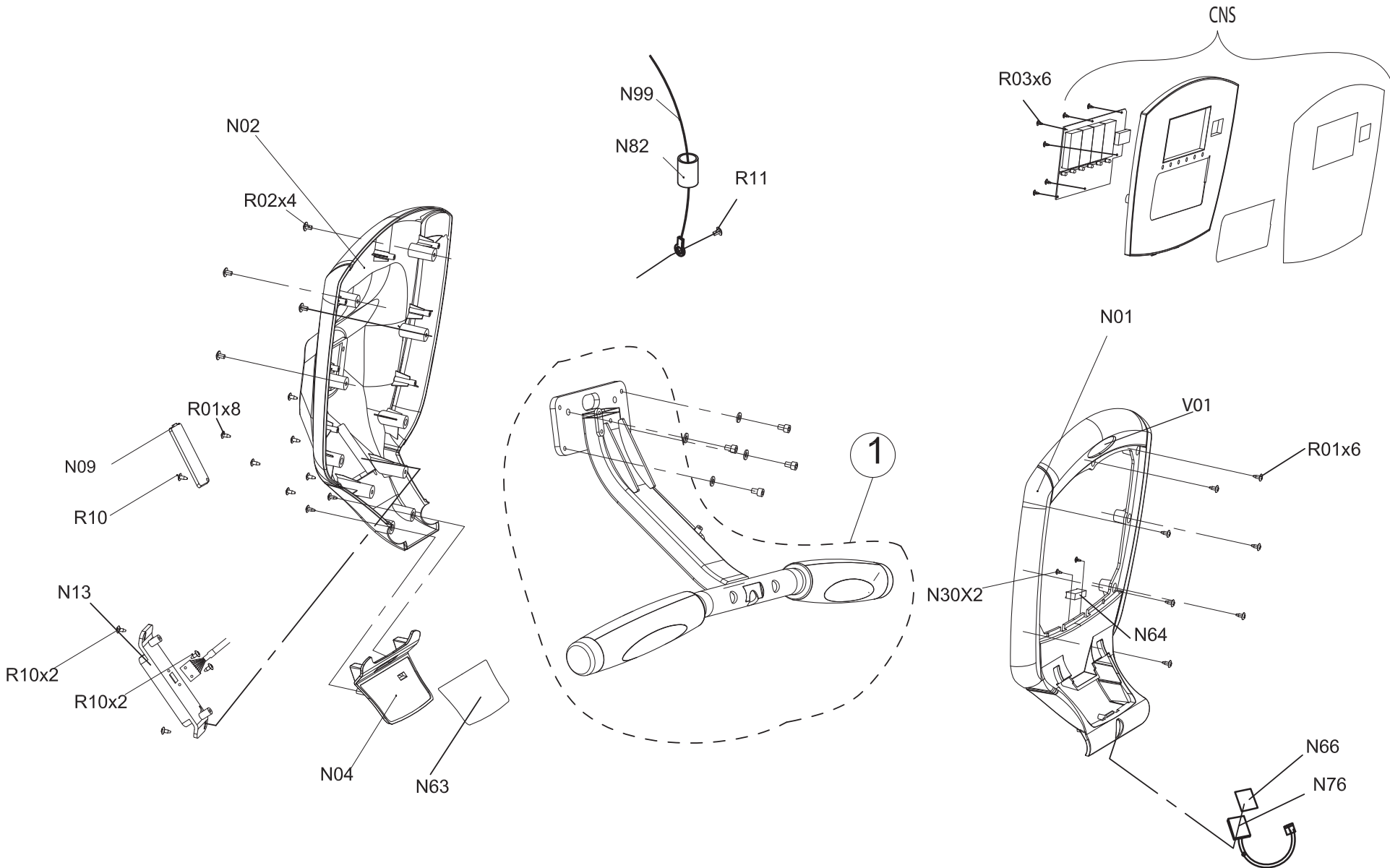


DRAWING NO	PTM456-1US-C		
PART NAME	Explosive Rendering		
PART Number	VTM0253-00	REV	A
APPROVAL	DATE	120416	



DRAWING NO	TM456 -A13		
PART NAME	ARMREST SET		
PART Number	1000232028	REV	A
APPROVAL	DATE	120423	

